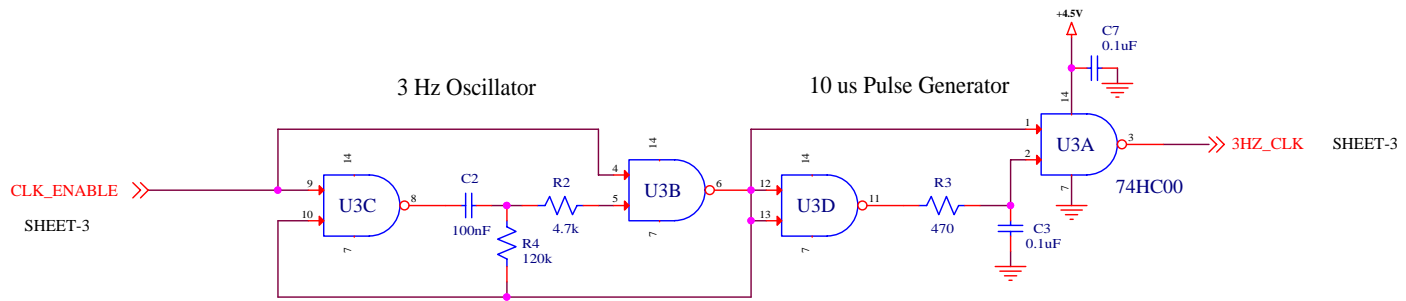
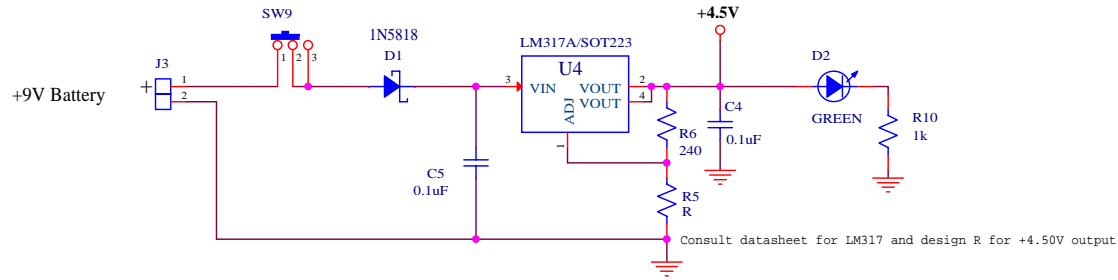


Project Revision	Date	Modifications
1.0	Aug 2009	Creation of Tutorial Project for CMPE174, F-2009 using Allegro Design Entry CIS (Cadence SPB 16.2).
1.1	Aug 2012	Update U4 symbol for correct VOUT labels for pins 2 and 4. These pins should both be passive to allow for duplicate names.



CMPE 174, F2009 UCSC		Engr.: S.C. Petersen, Instructor	
Project Title Tutorial Handset Design		Page Title Revisions	
Size A	Project File Handset.opj	Project Rev	Page Rev 0.0
Date: Tuesday, October 02, 2012		Sheet 1 of 3	



CMPE 174, F2009 UCSC		Engr.: S.C. Petersen, Instructor	
Project Title Tutorial Handset Project		Page Title Power and Oscillator	
Size A	Project File Handset.opj	Project Rev 1.1	Page Rev 0.0
Date:	Tuesday, October 02, 2012	Sheet	2 of 3

